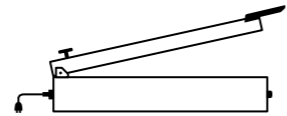
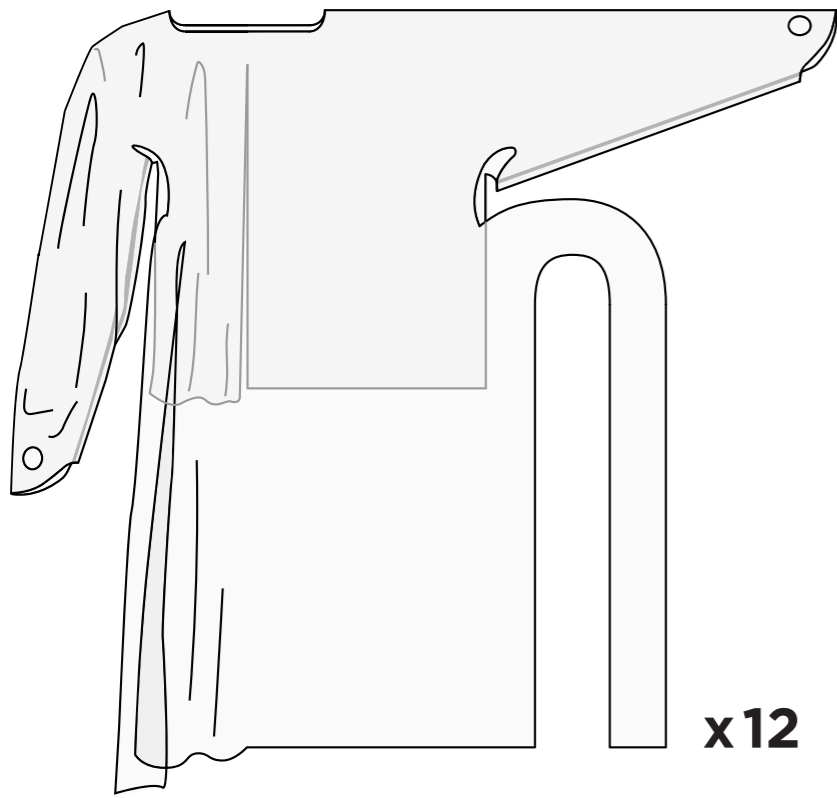
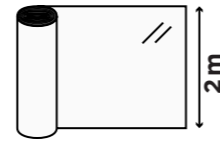


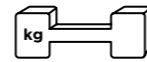
Personal protective gowns



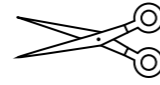
Impulse sealer with inbuilt cutter (60 cm)



Plastic: Virgin LDPE (low density polyethylene), 0.035 mm on roll, 2 m wide*



Weights



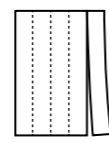
Sharp scissors



Binder clips (19 mm)



Tape



A4 paper cut in strips



Bags



1 meter x 4 meters template (printed in full size 100%)

* Note that recycled polyethylene can't be used because it may cause skin irritation

Before you start:

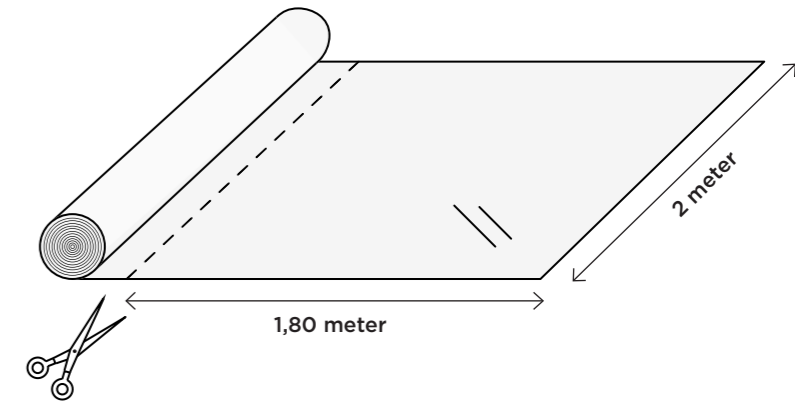
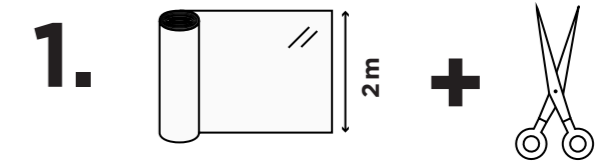


Only those who feel completely healthy can participate

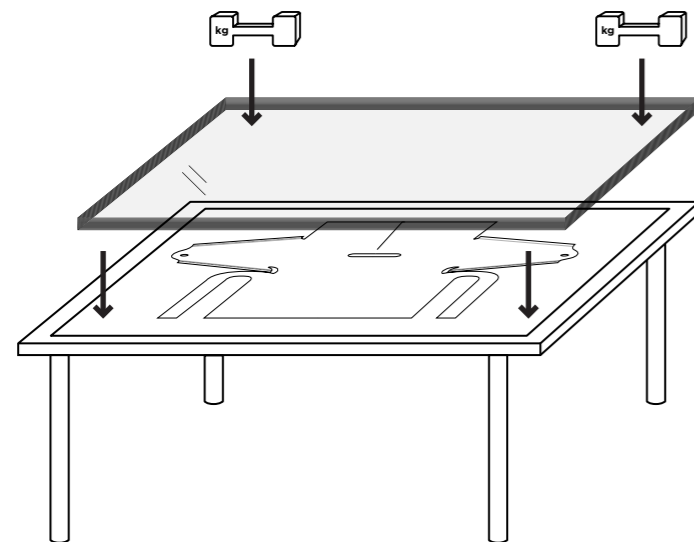
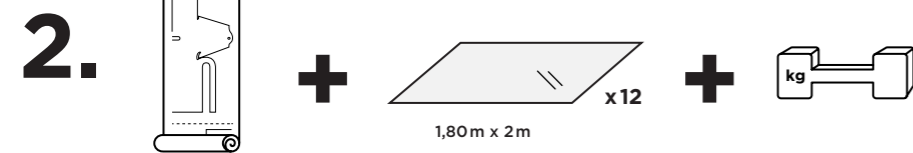


It is important to:

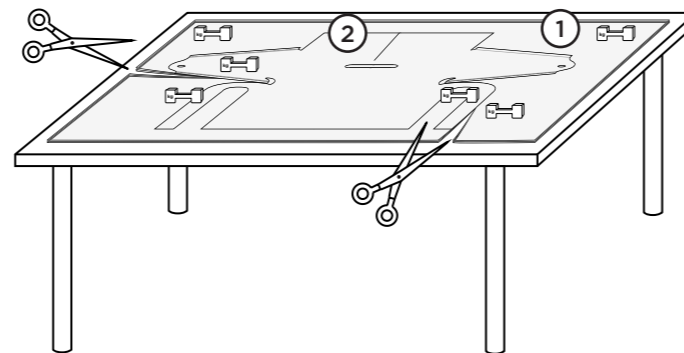
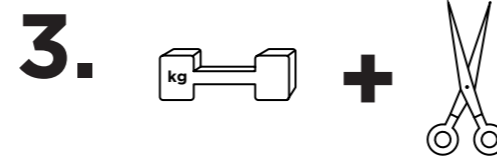
- wear a hair cover
- clean and disinfect tables, scissors, weights, impulse sealer, clips
- wash your hands with soap and use hand disinfectant



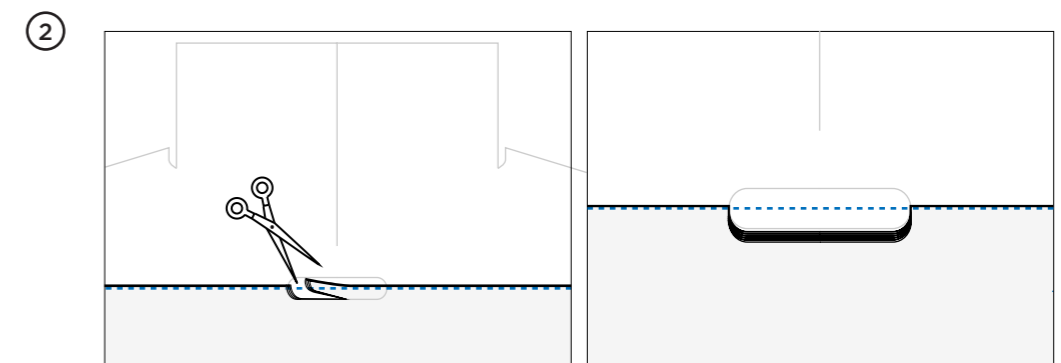
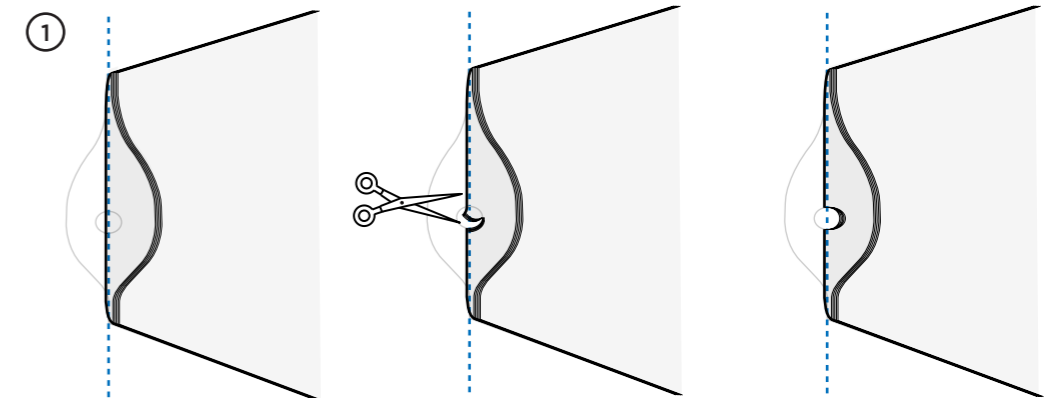
Cut plastic in sheets (1,80 m x 2 m)



- Tape the template onto the table
- One by one, lay down 12 sheets on top of the template
- Lay straight with the help of 2 weights
- Push out the air

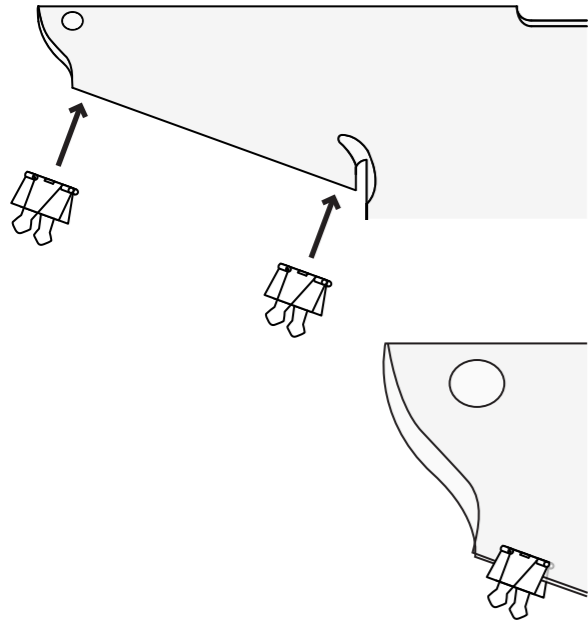


Cut the 12 sheets at once by following the outline on the template. Place weights on the sheets so it is easier to cut.



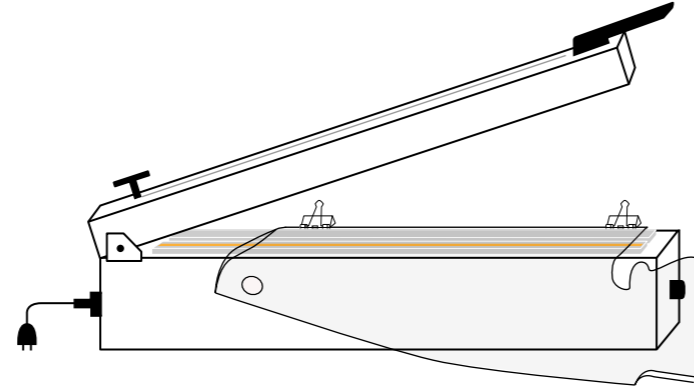
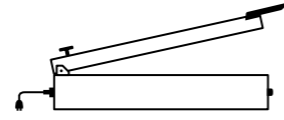
Cut out the inner parts (the thumb ① and the head ②) by folding at the blue dashed lines

4.

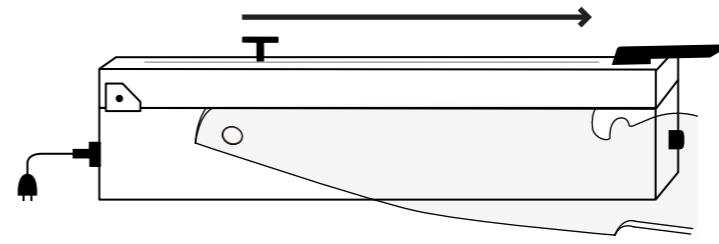
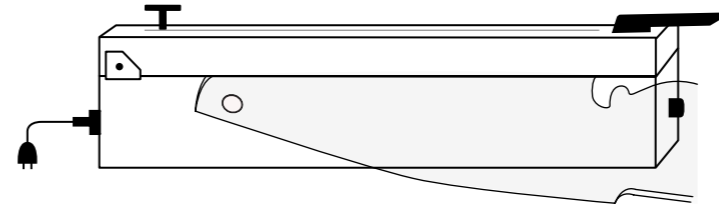


Fold the sleeves and place clips at both ends

5.

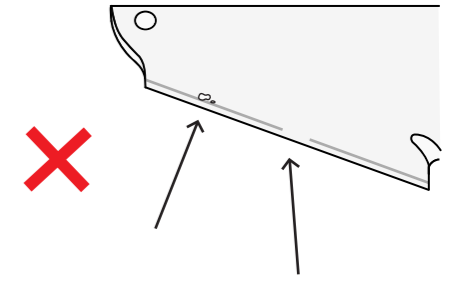
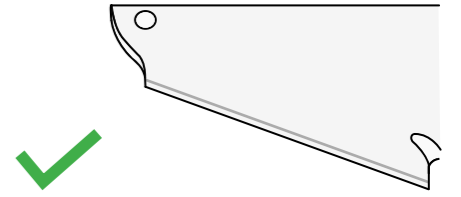


Place your "prepared sleeve" on a plastic sealer, the clips dropping just over the edge



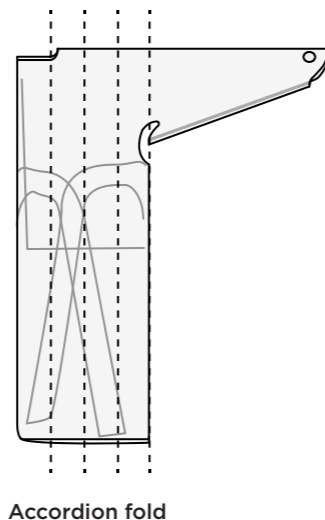
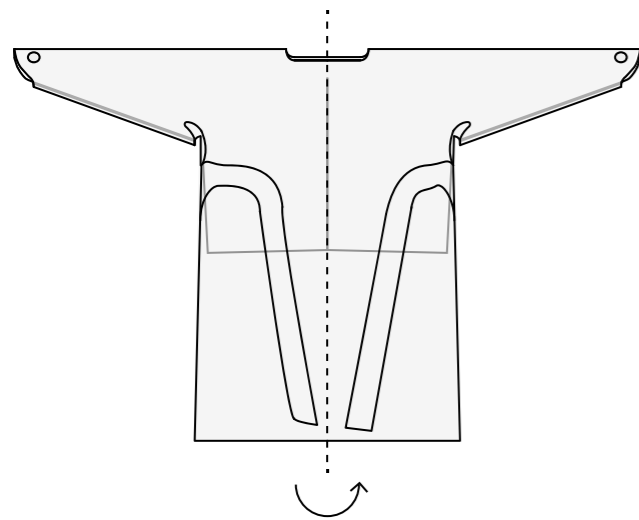
When its laying straight, seal and cut

6.

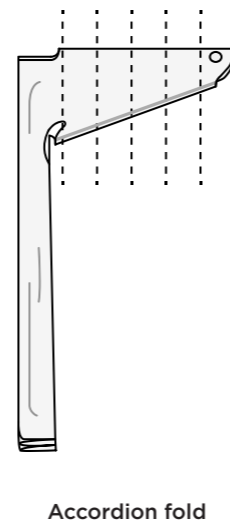


Quality control: check the seams and check for holes

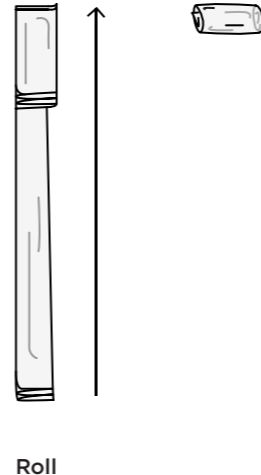
7.



Accordion fold



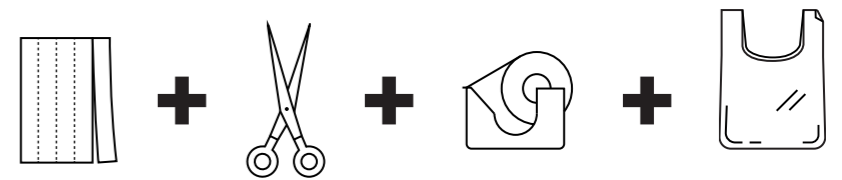
Accordion fold



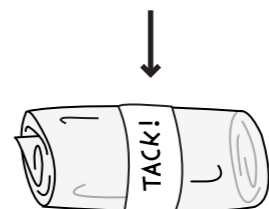
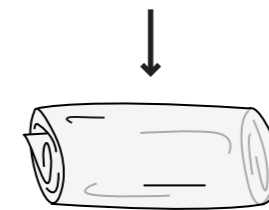
Roll

Fold each gown into a small package following the steps above

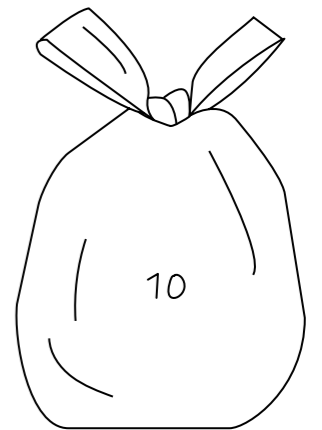
8.



TACK!



TACK!



- Wrap each small package with a paper strip (add a small note if you like 😊)
- Pack 10 gowns in a bag